



US00D565444S

(12) **United States Design Patent** (10) **Patent No.:** **US D565,444 S**
Moore et al. (45) **Date of Patent:** **** Apr. 1, 2008**

(54) **TESTING DEVICE FOR ACOUSTIC PROBES AND SYSTEMS** 2007/0093713 A1* 4/2007 Byron 600/437

* cited by examiner

(75) Inventors: **G. Wayne Moore**, Lyons, CO (US);
James M. Gessert, Loveland, CO (US);
Jason T. Sanders, Johnstown, CO
(US); **James Ginther**, Boulder, CO
(US); **Edward Henry**, Thornton, CO
(US)

Primary Examiner—Antoine D. Davis
(74) *Attorney, Agent, or Firm*—Townsend and Townsend
and Crew LLP

(57) **CLAIM**

The ornamental design for a testing device for acoustic probes and systems, as shown and described.

(73) Assignee: **Sonora Medical Systems, Inc.**,
Longmont, CO (US)

(**) Term: **14 Years**

(21) Appl. No.: **29/276,543**

(22) Filed: **Jan. 29, 2007**

(51) **LOC (8) Cl.** **10-04**

(52) **U.S. Cl.** **D10/78**

(58) **Field of Classification Search** D10/78;
73/570; 600/437

See application file for complete search history.

(56) **References Cited**

U.S. PATENT DOCUMENTS

D347,187 S * 5/1994 Chou D10/78
D354,923 S * 1/1995 Nightingale D10/78
D460,702 S * 7/2002 Kaise D10/78
D461,132 S * 8/2002 Woolston et al. D10/78

DESCRIPTION

This application is being filed concurrently with related U.S. Pat. Appl. No. 11/668,147, entitled "Testing Device For Acoustic Probes and Systems" the entire disclosure of which is incorporated herein by reference for all purposes.

FIG. 1 is an isometric view;

FIG. 2 is a front elevational view;

FIG. 3 is a right side view;

FIG. 4 is a back elevational view;

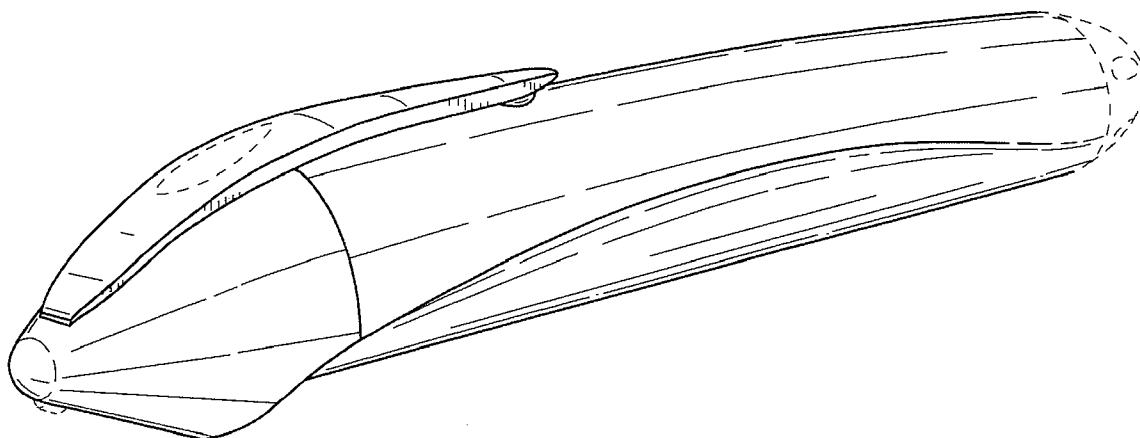
FIG. 5 is a top elevation view;

FIG. 6 is a left side view; and,

FIG. 7 is a bottom elevational view.

The portions shown in shadow line are for illustrative purposes only and form no part of the claimed design.

1 Claim, 4 Drawing Sheets



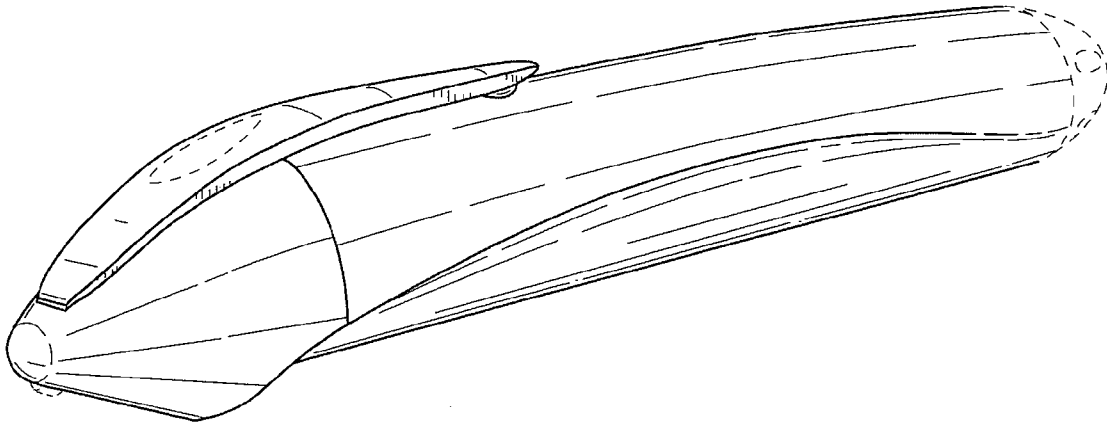


FIG.1

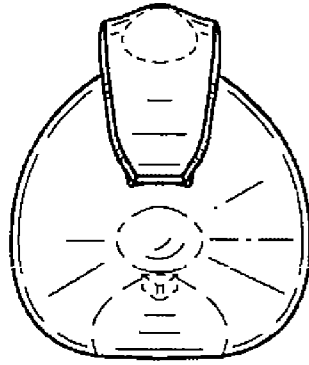


FIG. 2

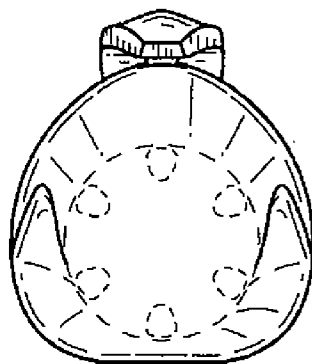


FIG. 3

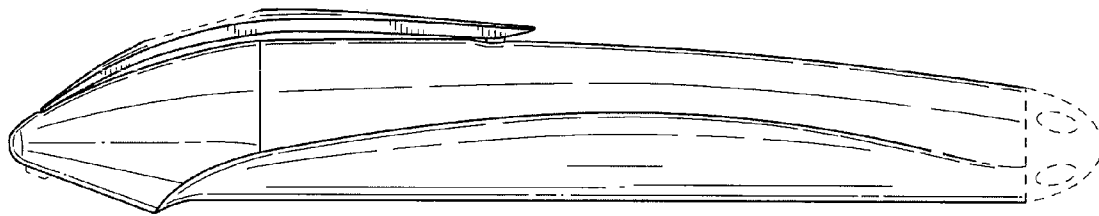


FIG.4

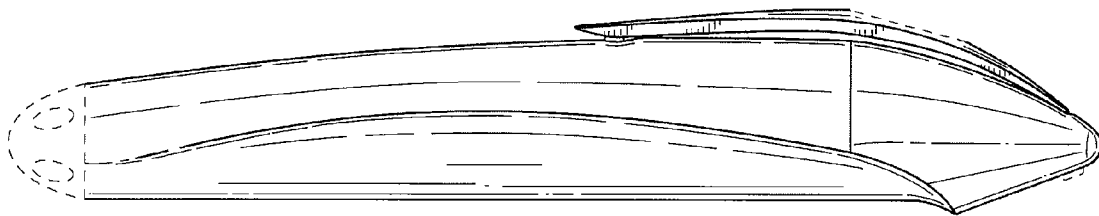


FIG.5

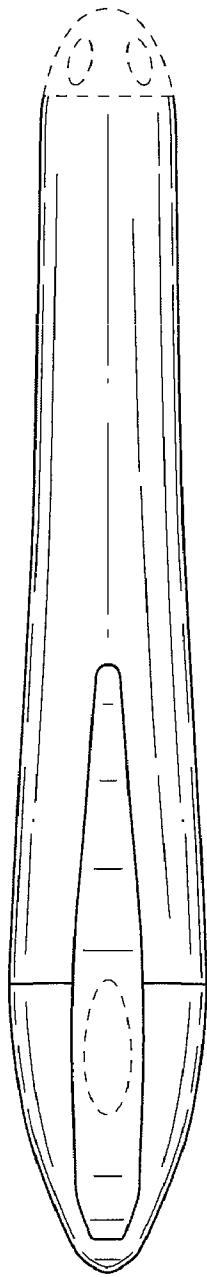


FIG.6

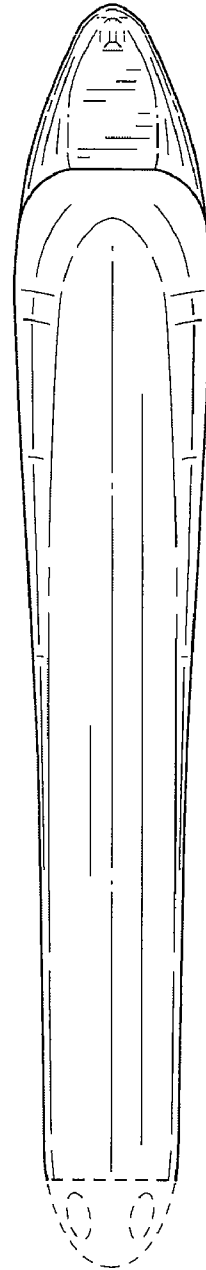


FIG.7