



US00D495194S1

(12) **United States Design Patent** (10) **Patent No.:** **US D495,194 S**  
**DeWitt** (45) **Date of Patent:** **\*\* Aug. 31, 2004**

(54) **FOOD WARMER**

(74) *Attorney, Agent, or Firm*—Townsend and Townsend and Crew LLP

(75) **Inventor:** **Chuck DeWitt**, Conifer, CO (US)

(57) **CLAIM**

(73) **Assignee:** **BSI Properties, Inc.**, Denver, CO (US)

The ornamental design for a food warmer, as shown and described.

(\*\*) **Term:** **14 Years**

(21) **Appl. No.:** **29/181,803**

**DESCRIPTION**

(22) **Filed:** **May 14, 2003**

This application is being filed concurrently with related U.S. patent application Ser. No. 10/438,740, entitled "Food Warming Device and Methods for its Manufacture", the entire disclosure of which is incorporated herein by reference for all purposes.

(51) **LOC (7) Cl.** ..... **07-02**

FIG. 1 is a top perspective view;

(52) **U.S. Cl.** ..... **D7/323**

FIG. 2 is a front elevational view;

(58) **Field of Search** ..... D7/323, 337-347,

FIG. 3 is a rear elevational view;

D7/350, 352-353, 362; 99/372-379; 219/524-525

FIG. 4 is a right side view;

(56) **References Cited**

FIG. 5 is a left side view;

**U.S. PATENT DOCUMENTS**

FIG. 6 is a top plan view; and,

D254,308 S \* 2/1980 Polak et al. .... D7/338

FIG. 7 is a bottom perspective view.

D270,421 S \* 9/1983 Whelan ..... D7/338

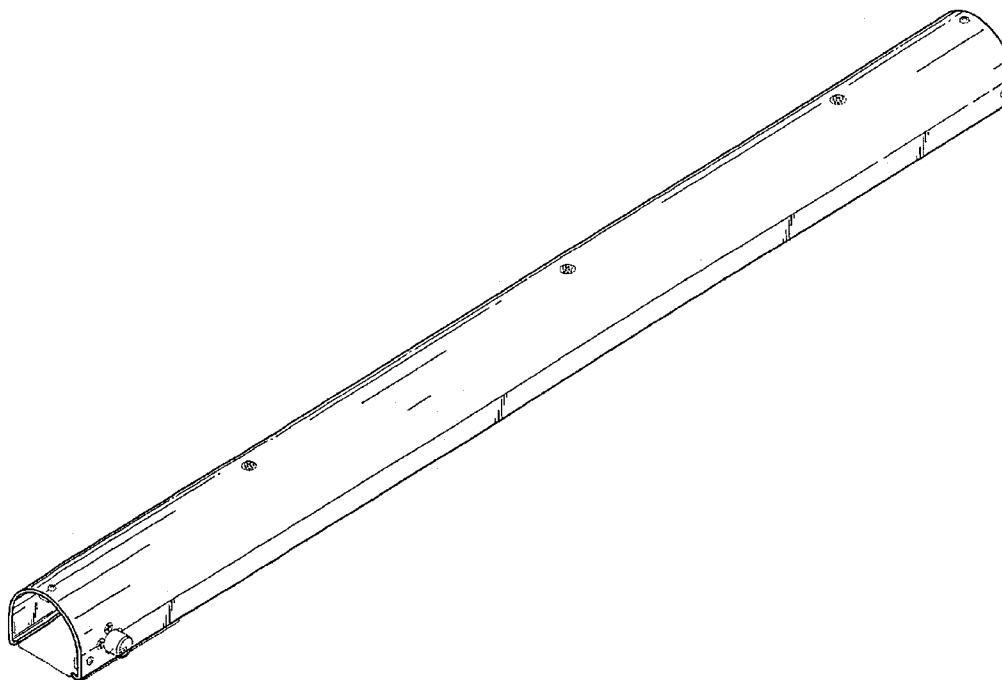
The portions shown in shadow line are for illustrative purposes only and form no part of the claimed design.

D442,756 S \* 5/2001 Jarvis et al. .... D7/347

\* cited by examiner

**1 Claim, 5 Drawing Sheets**

*Primary Examiner*—Catherine R. Oliver



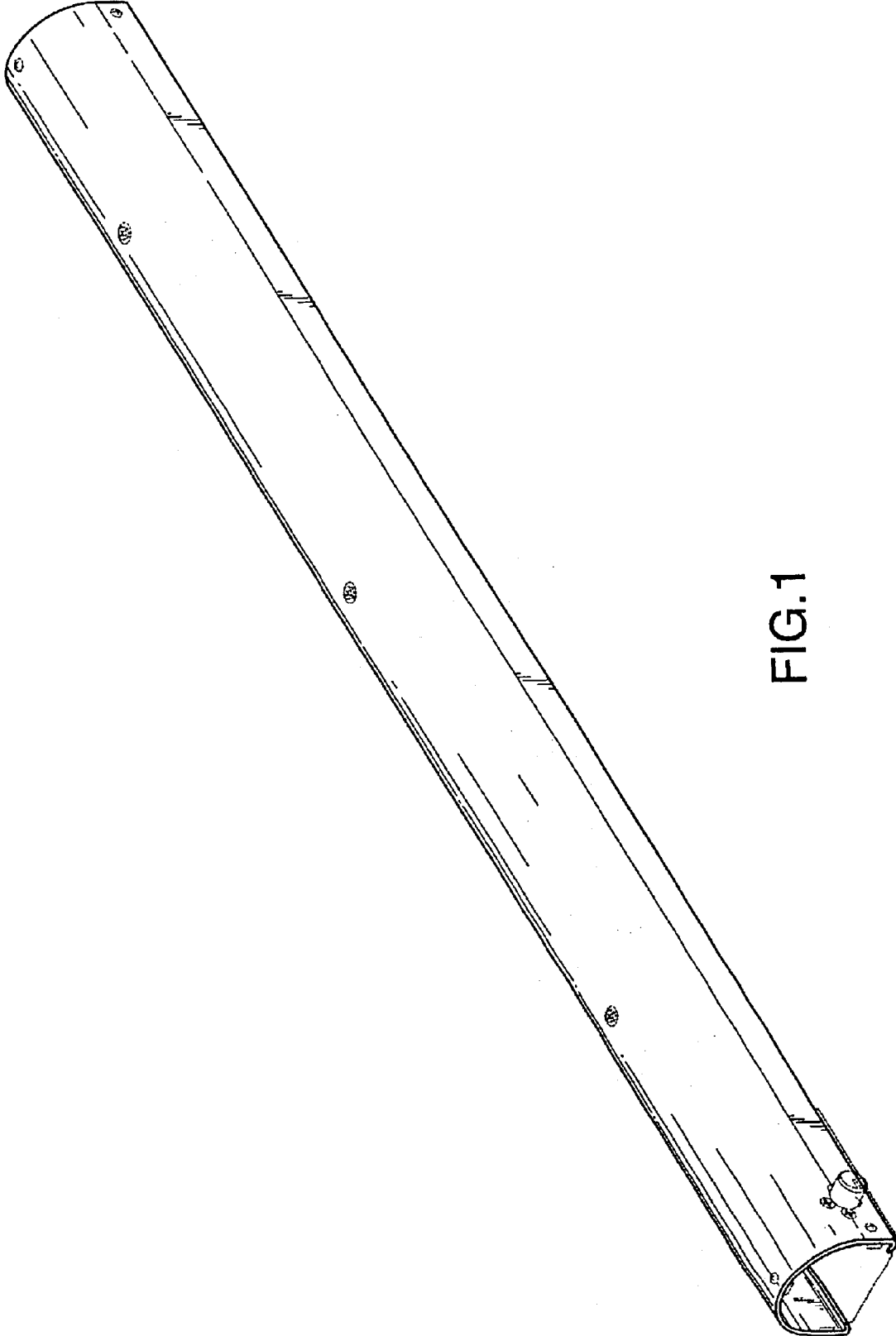


FIG.1

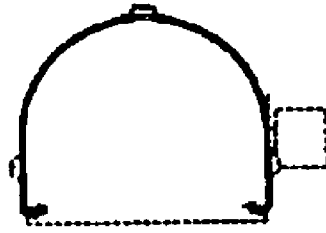


FIG. 2

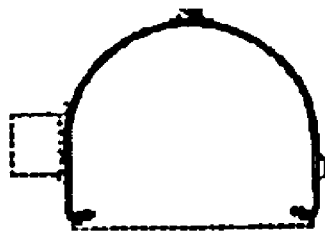


FIG. 3

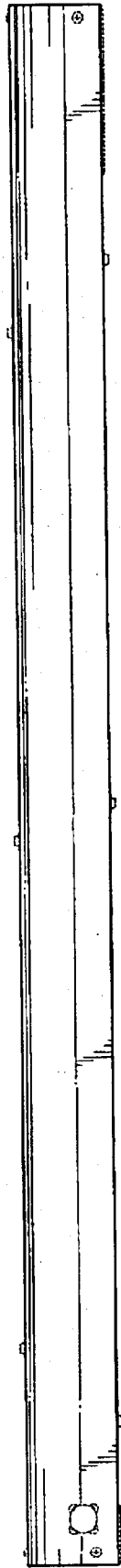


FIG.4

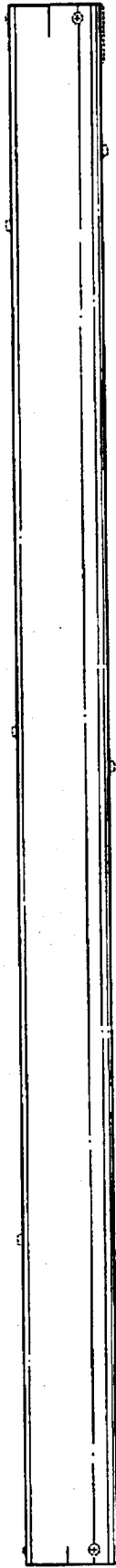


FIG.5

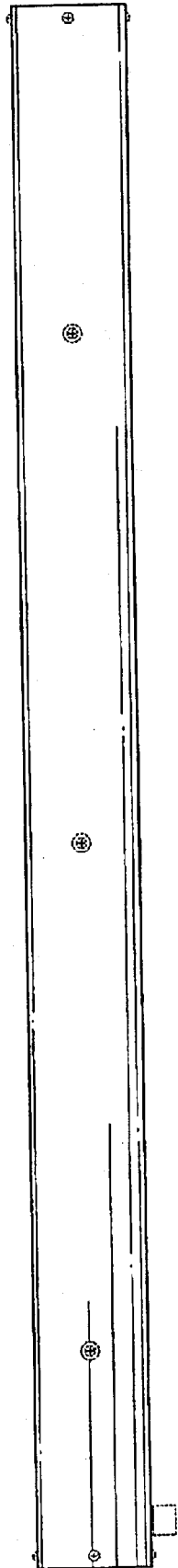


FIG.6

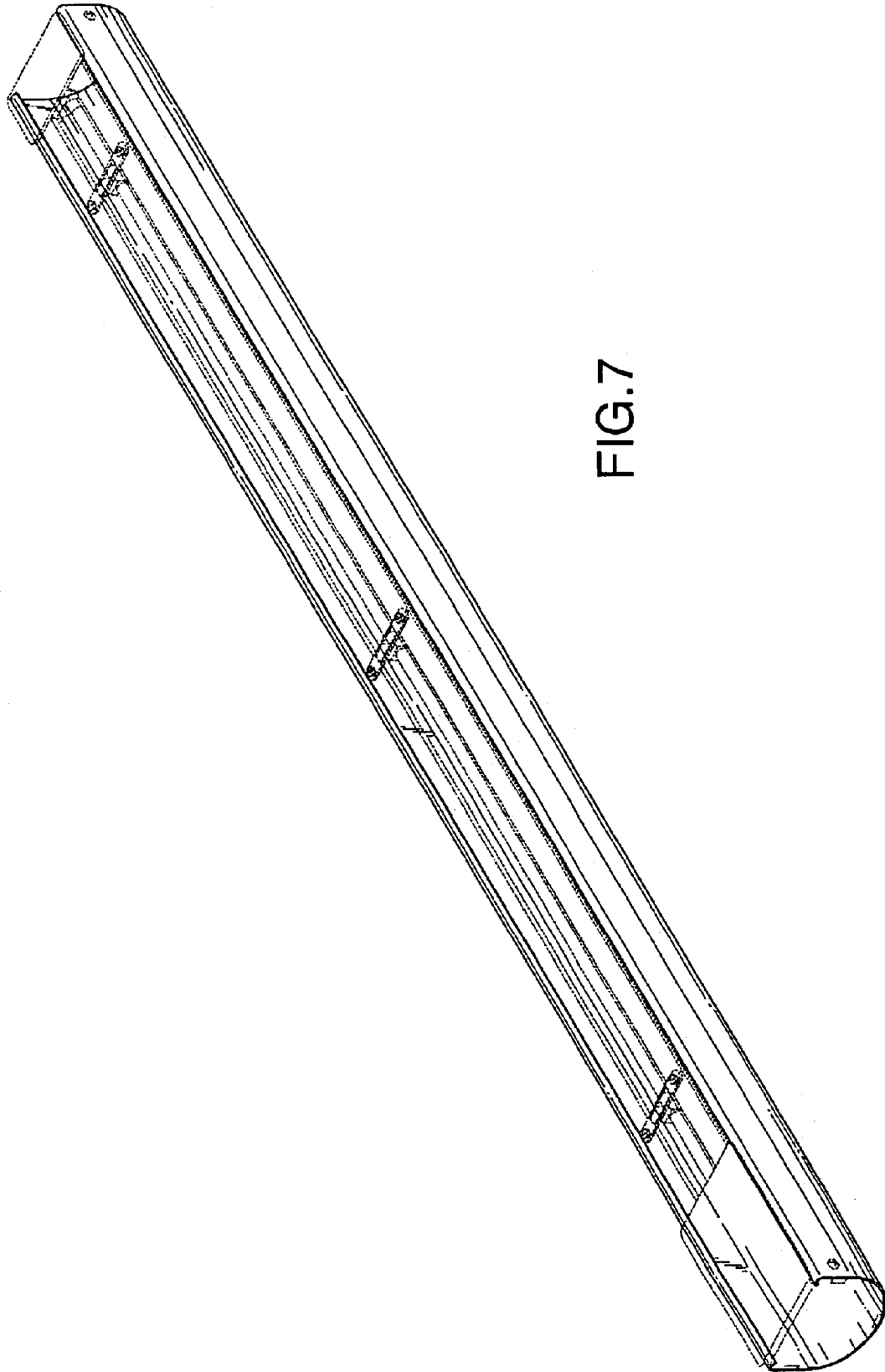


FIG. 7